

SAILOR® FLEET ONE

COBHAM

First choice for Fleet One

2014 Product Sheet

The most important thing we build is trust

SAILOR Fleet One is the ideal complement to the new Inmarsat Fleet One service, which utilises the existing Inmarsat-4 satellite constellation to deliver satellite voice and connectivity services that are ideal for use on smaller boats. With its compact, lightweight antenna and simple installation, SAILOR Fleet One is a low-cost entry point to the world of maritime satcoms that keeps you connected at all times.

Data & voice

SAILOR Fleet One enables data connectivity up to 100kbps and voice calling on a single line. Its capabilities offer significant communications functionality for recreational and fishing users who need reliable voice communications and Internet connectivity on board, when cellular networks aren't available, or just don't offer the quality needed for good communication.

Unrivalled pedigree

SAILOR Fleet One is designed to the same high standards as the existing SAILOR FleetBroadband product line; quality that more than 35,000 end-users have experienced so far. With ease of use and durability at the forefront, SAILOR Fleet One can be relied upon to provide reliable, high quality communications whether cruising offshore or fishing for a living.

Easy installation

The SAILOR Fleet One antenna is light and easy to install, even on small boats, and connecting to the below deck equipment is simple enough that keen owners can handle the installation and maintenance themselves. It may be small, but it packs enough power to deliver plenty of bandwidth for email, web browsing and social media sites.

First choice for Fleet One

Built by the people behind the leading SAILOR FleetBroadband range, SAILOR Fleet One is the first choice for boat owners choosing the Fleet One service because it ensures reliable connectivity even on smaller boats that don't have the room, or the budget, for larger satcoms antennas.

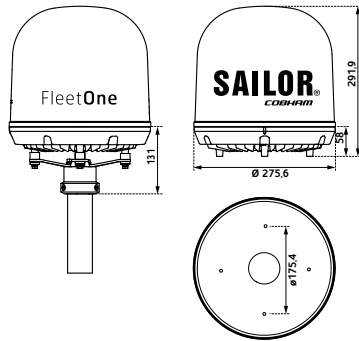


SAILOR® FLEET ONE

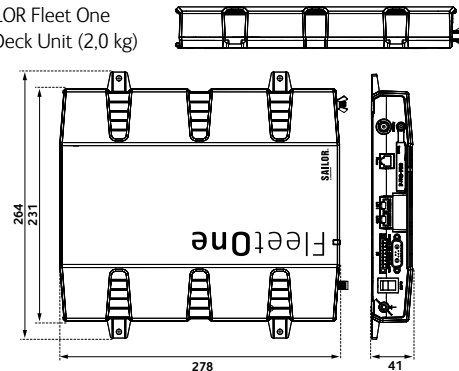
First choice for Fleet One



SAILOR Fleet One
Above Deck Unit (3,9 kg)



SAILOR Fleet One
Below Deck Unit (2,0 kg)



APPROVALS

Inmarsat Fleet One approved. Compliant to RTTE, CE Marked. Testet to FCC part 25

FREQUENCY BAND

Rx	1518 - 1559 MHz
Tx	1626.5 - 1660.5 MHz 1668.0 - 1675.0 MHz
Ch. spacing	10.5 - 189 kHz, Rx 21 - 189 kHz, Tx
Ch. size	1.25 KHz

RECOMMENDED ANTENNA CABLE

Cable loss max/min	20 dB at 1,62 GHz and 1.0 Ω DC loop resistance max. 3 dB at 36 - max. 4 dB at 54 MHz
--------------------	---

POWER SUPPLY AND CONSUMPTION

DC input range (isolated)	10.5V to 32V DC
Power (max), incl. antenna & PoE output	120 W @ 10-32 V

ENVIRONMENTAL CONDITIONS

Ambient Temperature	-25 to +55° C
Storage	-40 to +85° C
Survival (power on, non functional)	-40 to +80° C
Automatic thermal surveillance shuts down system gradually in ease of own temperature	
BDU operating humidity	95% non-condensing at +40° C
ADU enclosure	IPX6
ADU operating humidity	"Exposed" according to EN60 945
BDU enclosure	IP30
Icing (survival)	Max 25 mm

VIBRATION (ADU)

Vibration, operational	Random spectrum 1.05 g rms x 3 axes: 5 to 20 Hz: 0.02 g2/Hz 20 to 150 Hz: -3 dB/octave
Vibration, non-operational	Random spectrum 1.7 g rms 2 h x 3 axes (6 h total): 5 to 20 Hz: 0.05 g2/Hz, 20 to 150 Hz: -3 dB/octave

SHIP MOTION

Roll	+/- 30 deg. per. 4 s, max 0.7 g tan.
Pitch	+/- 15 deg. per. 3 s, max 0.6 g tan.
Yaw	+/- 10 deg. per. 5 s, max 0.3 g tan.
Surge	+/- 0.5g
Sway	+/- 0.5g
Heave	+/- 0.7g
Turning rate	+/- 36°/s; ACC 12°/s²
Headway speed	22 m/s (42 knots)
Wind	100 knots

MECHANICAL SHOCK

20g/11 half-sine

ANTENNA CONNECTOR

ADU	TNC, female
BDU	TNC, female

SERVICES

Standard IP	Up to 100 kbps
Streaming IP	-
ISDN Data	-
SMS (standard 3G)	160 characters
Standard Voice	4 kbps

INTERFACES

Ethernet/PoE	2 ports
Phone/Fax (2-wire)	1 port
I/O Connector	1 connector with 5 configurable inputs/outputs
Status LED	LED power indicator
SIM Card Slot	1 SIM Card slot for Fleet One SIM card
Router	Integral DHCP/NAT router
PBX	Built-in PBX

COVERAGE AND RATE REGIONS



Home Region Rate Out of Region Rate

For further information please contact:

Cobham SATCOM Maritime
Lundtoftegaardsvej 93 D
DK-2800 Kgs. Lyngby
Denmark
www.cobham.com
Tel: +45 3955 8800
Fax: +45 3955 8888

Produkt	SAILOR Fleet One	SAILOR 150	SAILOR 250	SAILOR 250
Hersteller	Cobham SATCOM Marine www.cobham.com			
Größe ADU mm	292 x Ø276	292 x Ø276	329 x Ø276	605 x Ø630
Größe BDU mm	278 x 264 x 41	278 x 264 x 41	265 x 273 x 43	265 x 273 x 43
Gewicht ADU (Antenne)	3,9 kg	3,9 kg	4,2 kg	16 kg
Gewicht BDU (Transsciever)	2,0 kg	2,0 kg	2,5 kg	2,0 kg
Standard IP bis zu upload/download	100 / 100 kbit/s	150 / 150 kbit/s	284 / 284 kbit/s	432 / 432 kbit/s
Streaming IP	-	-	32, 64, 128 kbit/s	32, 64, 128, 256 kbit/s
Schnittstellen Sprache/ Fax	1 x RJ-11 4 kbit/s	1 x RJ-11 4 kbit/s AMBE+2	2 x RJ-11 4 kbit/s AMBE+2 3.1kHz audio Group 3 fax via 3.1kHz audio Access to efax applications	
Daten	2 x Ethernet 10/100 Mbit		4 x Ethernet 10/100 Mbit	
ISDN	-	-	-	1 x Euro ISDN 64 kbit/s
Weitere Schnittstellen	5 x I/O connector	5 x I/O connector	5 x I/O connector L-Band Output	5 x I/O connector L-Band Output
Schutzklasse BDU	IP30	IP31		
Schutzklasse ADU	IPX6			

ADU=Above Deck Unit=Antenne
BDU=Below Deck Unit=Transsciever

m-cramer Satellitenservices
Matthias Cramer
Holzhofallee 7
64295 Darmstadt

Tel: +49-(0)6151-2784 880
Fax: +49-(0)6151-2784 885
Mobil: +49-(0)163-286 4622
UID: DE262663625

e-mail: info@m-cramer.de
www.m-cramer.de
www.m-cramer-shop.de