

PROPRIETARY NOTICE: This document contains proprietary information of AAT Inc. neither the document nor said proprietary information shall be published, reproduced, copied, disclosed or used for any purpose other than consideration of this document without the express written permission of a duty authorized representative of said Company.

REVISIONS			
SYM	DESCRIPTION	DATE	APPROVED
A	RELEASE PER ECO8742	04/23/09	

NOTES: UNLESS OTHERWISE SPECIFIED.

- ① SIZE, SHAPE, AND CONTENTS OF NAME PLATE ARE SUBJECT TO CHANGE WITHOUT NOTICE.
- ② MOUNTING SCREWS AND O-RING SUPPLIED BY AEROANTENNA.
- ③ DIMENSIONS FOR SMAF CONNECTOR.
- ④ DIMENSIONS FOR TNCF CONNECTOR.
- 5. TOLERANCE: .XX = ±.03
.XXX = ±.010

SPECIFICATION:

FREQUENCY: 1621 ±5 MHz
1575 ±5 MHz

POLARIZATION: RIGHT HAND CIRCULAR

AXIAL RATIO: 3 dB MAX

RADIATION COVERAGE: IRIDIUM

ELEVATION ANGLE: 0°<θ<10°
10°<θ<90°

GAIN: -2.5 dBic min
0 dBic min

GPS

ELEVATION ANGLE: 0°<θ<10°
10°<θ<20°
20°<θ<30°
θ>30°

GAIN: -7.5 dBic min
-5.5 dBic min
-3.5 dBic min
-2.5 dBic min

AMPLIFIER: IRIDIUM: PASSIVE
GPS L1: 26 dB (35 mA)

VOLTAGE: IRIDIUM: PASSIVE
GPS L1: 3 VDC

NOISE FIGURE: 2.5 dB MAX

IMPEDANCE: 50 OHMS

VSWR: ≤2.0:1

POWER HANDLING: 10 WATTS

CONNECTOR: SPECIFY

WEIGHT: 4.50 OZ.

OPERATING TEMP: -55°C TO +85°C



PART NO. DESIGNATION:

AT1621-262XXX-XXXX-XXXX-XXX-XX-XX-XX

CUSTOMER ID (IF APPLICABLE)

COLOR
W = WHITE
B = BLACK
O = OLIVE DRAB

CONNECTOR #1
SMAF = SMA FEMALE
TNCF = TNC FEMALE

CONNECTOR #2
SMAF = SMA FEMALE
TNCF = TNC FEMALE

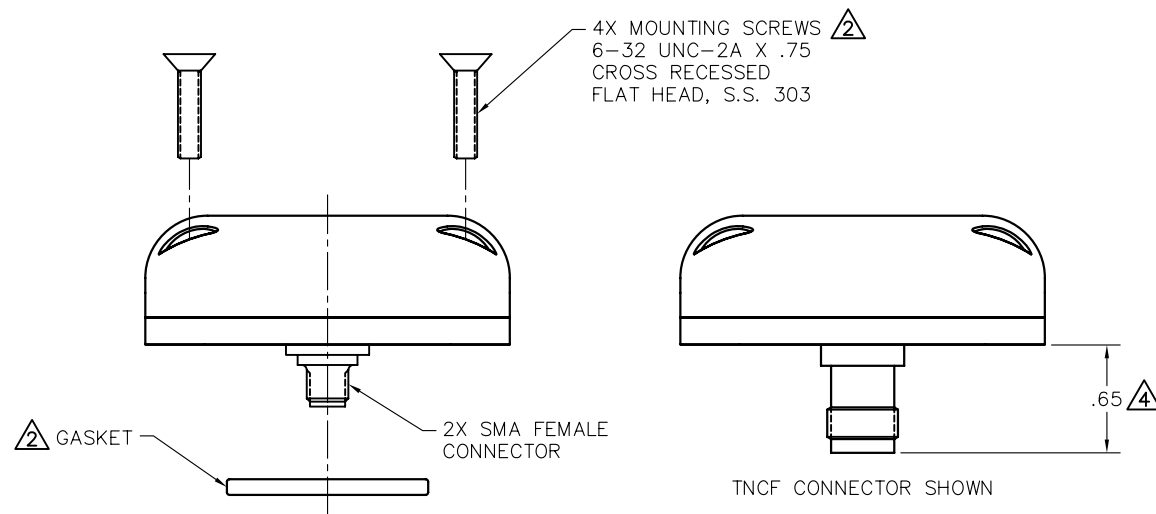
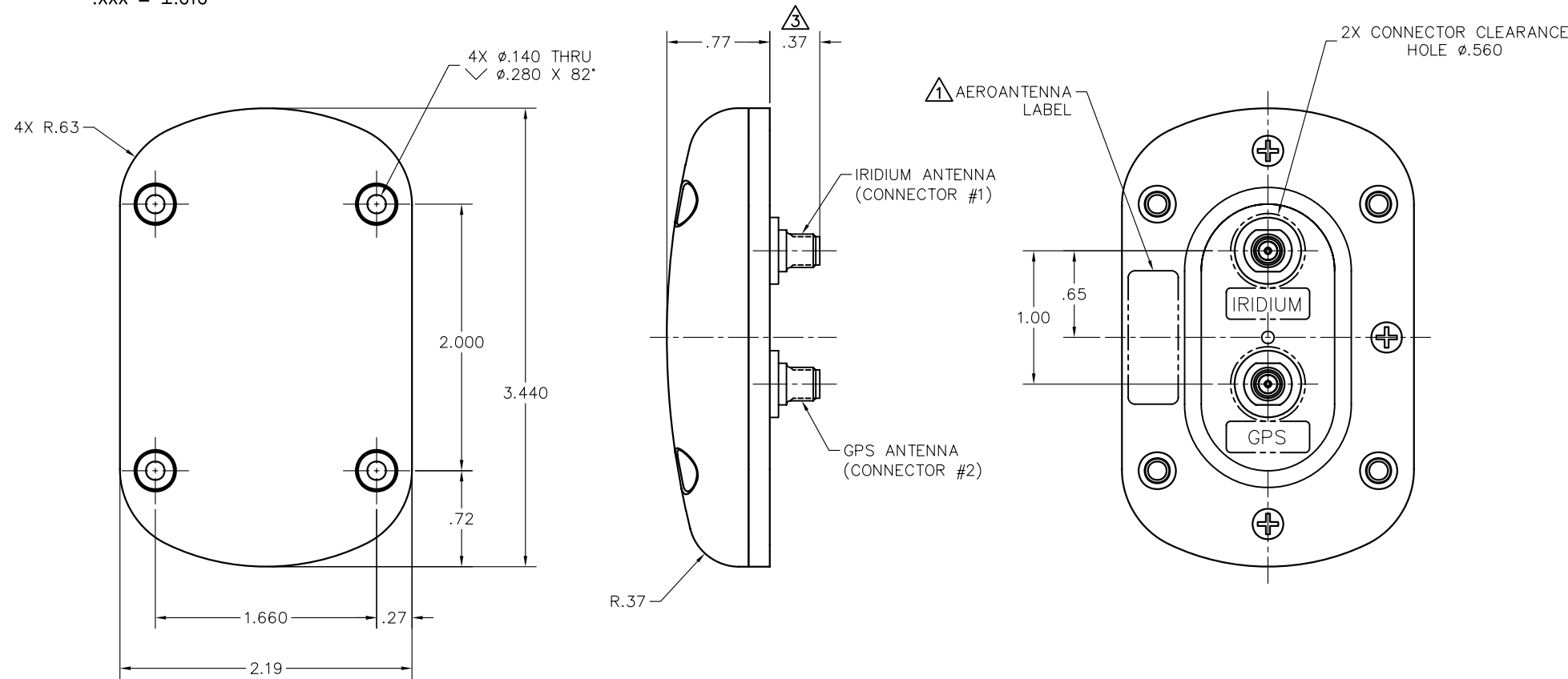
MAGNET
NM = NO MAGNET

GAIN (± 2 dB)
26 = 26 dB (35 mA)

VOLTAGE
03 = 3 VDC

CABLE LENGTH
000 = IN INCHES

STANDARD MODEL= AT1621-262W-SMAF-SMAF-000-03-26-NM



DO NOT SCALE THIS DRAWING	DRAWN	A. DEVERA	09/01/06
REMOVE BURRS AND BREAK SHARP EDGES:	CHECKED		
PART TO BE CLEAN AND OIL FREE	ENGR		
ALL DIMENSIONS ARE IN INCHES DIMENSIONING & TOLERANCING PER ASME Y14.5M-1994	MFG		
TOLERANCES:	Q.A.		
.XX ±.01 FRACT = ±1/32	APPROVED		
.XXX ±.005 ANG. = ±1/2°	DRAWN IN	ACAD	
✓ SURFACE ROUGHNESS MACHINED PARTS V63 MOLDED PARTS V32			
HOLE DIA.	TOLERANCE		
.0135 - .125	+ .004 - .001		
.126 - .250	+ .005 - .001		
.251 - .500	+ .006 - .001		
.501 - .750	+ .008 - .001		
NEXT ASSY			

AeroAntenna Technology Inc

TITLE: IRIDIUM/GPS L1 ANTENNA

SIZE: B CAGE CODE: OUVG2 DRAWING NO.: AT1621-262 REV: A

SCALE: NONE I: \CAD\AT1621\ -262\AT1621-262_A SHEET 1 OF 1