

PROPRIETARY NOTICE: This document contains proprietary information of AAT Inc. neither the document nor said proprietary information shall be published, reproduced, copied, disclosed or used for any purpose other than consideration of this document without the express written permission of a duly authorized representative of said Company.

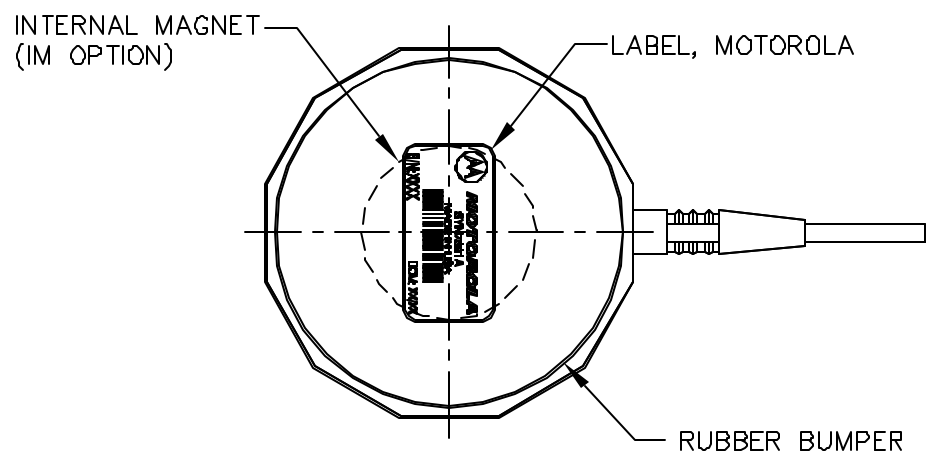
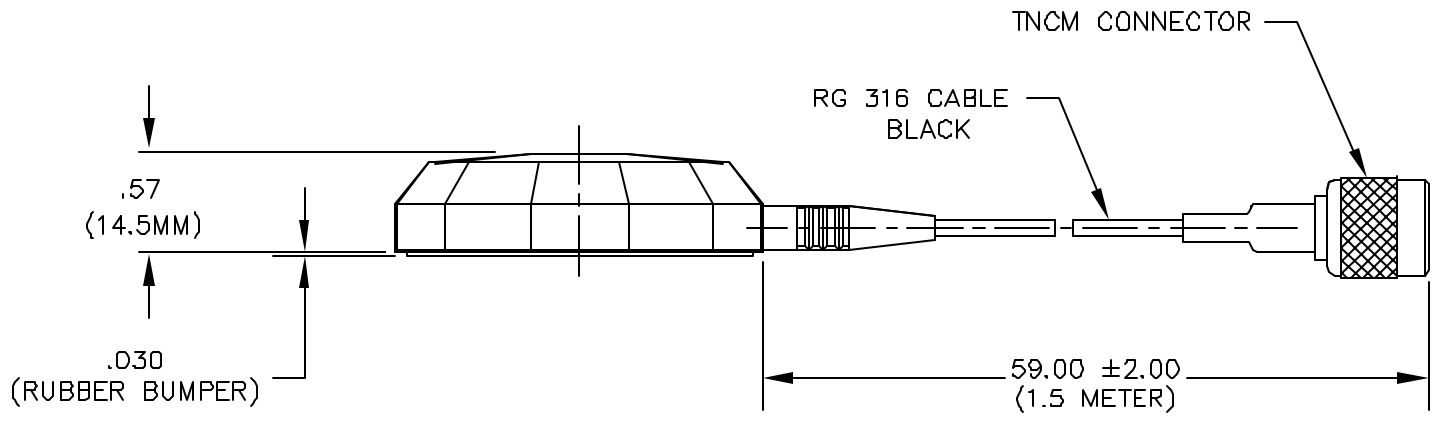
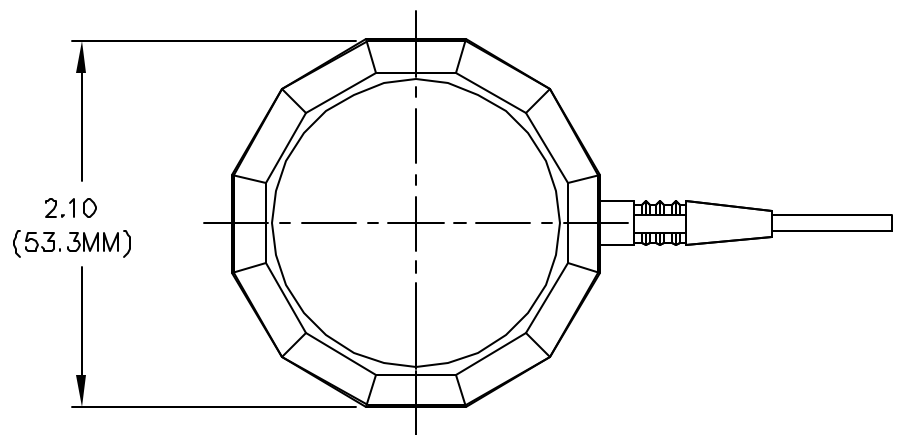
REVISIONS			
SYM	DESCRIPTION	DATE	APPROVED
E	REDESIGN RUBBER BUMPER	11/14/03	

SPECIFICATION:

FREQUENCY: 1616-1626 MHz
 POLARIZATION: RIGHT HAND CIRCULAR
 AXIAL RATIO: 3 dB MAX
 RADIATION COVERAGE: 4.0 dBic $0^\circ = 0^\circ$
 -1.0 dBic $0^\circ < \theta < 75^\circ$
 -2.5 dBic $75^\circ \leq \theta < 80^\circ$
 -4.5 dBic $80^\circ \leq \theta < 85^\circ$
 -7.5 dBic $\theta = 90^\circ$
 IMPEDANCE: 50 OHMS
 VSWR: $\leq 2.0:1$
 WEIGHT: 3.7 OUNCES
 MATERIAL: RADOME-XENOPY, HIGH IMPACT & TEMP.
 ALTITUDE: 20,000'
 OPERATING TEMP: -40°C TO +85°C

NOTES: UNLESS OTHERWISE SPECIFIED

- TOLERANCES: .XX = $\pm .03$
 .XXX = $\pm .010$
- LABEL SIZE, SHAPE AND CONTENTS SUBJECT TO CHANGE WITHOUT NOTICE.



PART NO. DESIGNATION:

AT1621-7X-XXXX-XXX-XX-XX-XX

COLOR _____
 B = BLACK
 S = SMOKE GRAY
 O = OLIVE DRAB
 W = WHITE

CONNECTOR _____
 TNCM = TNC MALE
 * TNCF = TNC FEMALE
 BNCM = BNC MALE
 * BNCF = BNC FEMALE
 MCXM = MCX MALE
 * MCXF = MCX FEMALE
 SMAM = SMA MALE
 * SMAF = SMA FEMALE
 * NTPM = N TYPE MALE
 * NTPF = N TYPE FEMALE
 * 0000 = NO TERMINATION

CABLE LENGTH _____
 000 = IN INCHES

MAGNET
 * NM = NO MAGNET
 IM = INTERNAL
 RM = REMOVABLE
 HD = HEAVY DUTY

GAIN (± 2 db)
 00 = PASSIVE
 * 12 = 12 db (20 mA)
 * 26 = 26 db (35 mA)
 * 36 = 36 db (50 mA)
 * XX = OTHER

VOLTAGE
 00 = PASSIVE
 * 05 = 5 VDC
 * RG = 5-18 VDC
 * XX = OTHER

* = OPTION NOT AVAILABLE WITH THIS MODEL
 RIGHT ANGLE CONNECTOR ADD "R" TO CONNECTOR NOTATION.
 STANDARD MODEL= AT1621-7B-TNCM-059-00-00-IM
 (MOTOROLA KIT NO. SYN7391A)

MOTOROLA	DO NOT SCALE THIS DRAWING ALL DIMENSIONS ARE IN INCHES DIMENSIONING & TOLERANCING PER ANSI Y14.5M-1982 TOLERANCES: .XX = $\pm .03$.XXX = $\pm .010$ FRACT = $\pm 1/32$ ANG. = $\pm 1/2^\circ$ ✓ SURFACE ROUGHNESS PER ANSI B46.1 REMOVE BURRS AND BREAK SHARP EDGES! PART TO BE CLEAN AND OIL FREE UNLESS OTHERWISE SPECIFIED	DRAWN R. RICASA 08/24/98	CHECKED D. KIM 08/27/98	ENGR S. VALDES 08/28/98	Q.A. B. RUBENI 09/01/98	APPROVED G. SHACHAR 08/31/98			
							TITLE IRIDIUM ANTENNA		
		SIZE B	CAGE CODE OUVG2	DRAWING NO. AT1621-7		REV E			
USED ON		SCALE NONE		AT1621-7E		SHEET 1 OF 1			

AT1621-7